

Blind Mount Drop visor for
Ultra Cab & Flat Top Cab
Fits trucks with Cab Mount Mirrors only
Will NOT fit Door Mount Mirrors

PDF Created with DeskPDF-PDF Creator X - Trial :: http://www.docudesk.com

Remove factory visor and brackets.
Replacement brackets will be installed at a factory rivet location with some additional drilling required. Kit contains 6 brackets. Most trucks have outer brackets on the 9th rivet location from the center. If the truck does not have a bracket at the 9th rivet location, additional drilling is required.
The two center brackets have Cab type specific mounting.
See diagram #1 below for full details.
Required hole size for mounting brackets is 1/2"

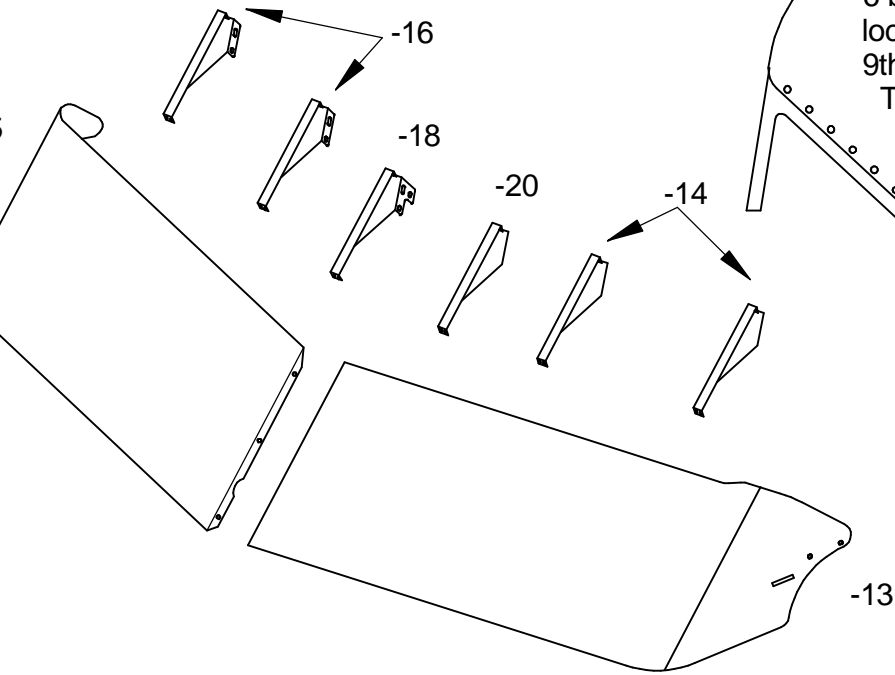
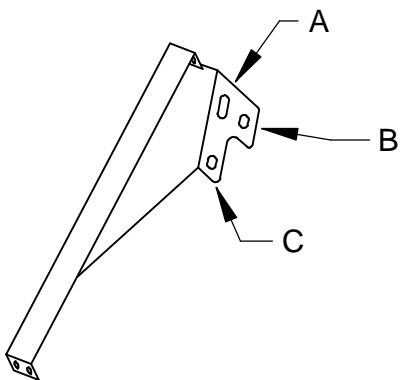


Diagram #1



-18 & -20 mounting bracket installation guide

On Ultra Cabs

- A. This is an existing hole location of the factory center bracket
- B. This is a new hole location that will need to be drilled
- C. This is an existing hole location of the factory center bracket

On Flat Top Cabs

- A. This is a new hole location that will need to be drilled
- B. This is an existing hole location of the factory center bracket
- C. This is an existing hole location of the factory center bracket

35075-IN use for
35075 / 35076 / 35077 / 35078 / 35085