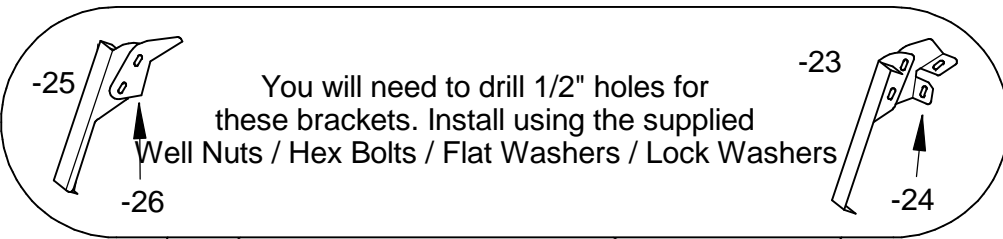
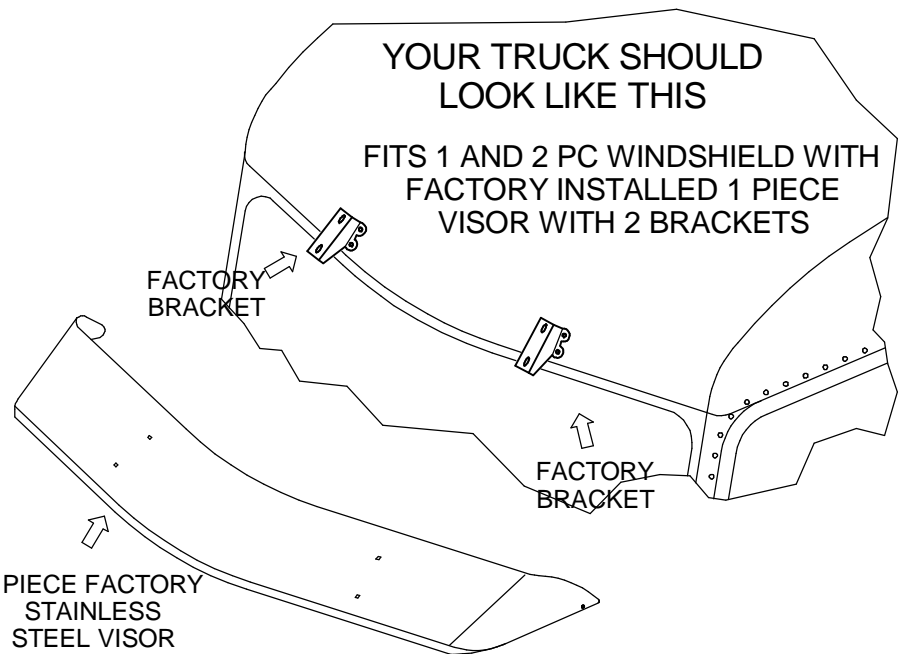


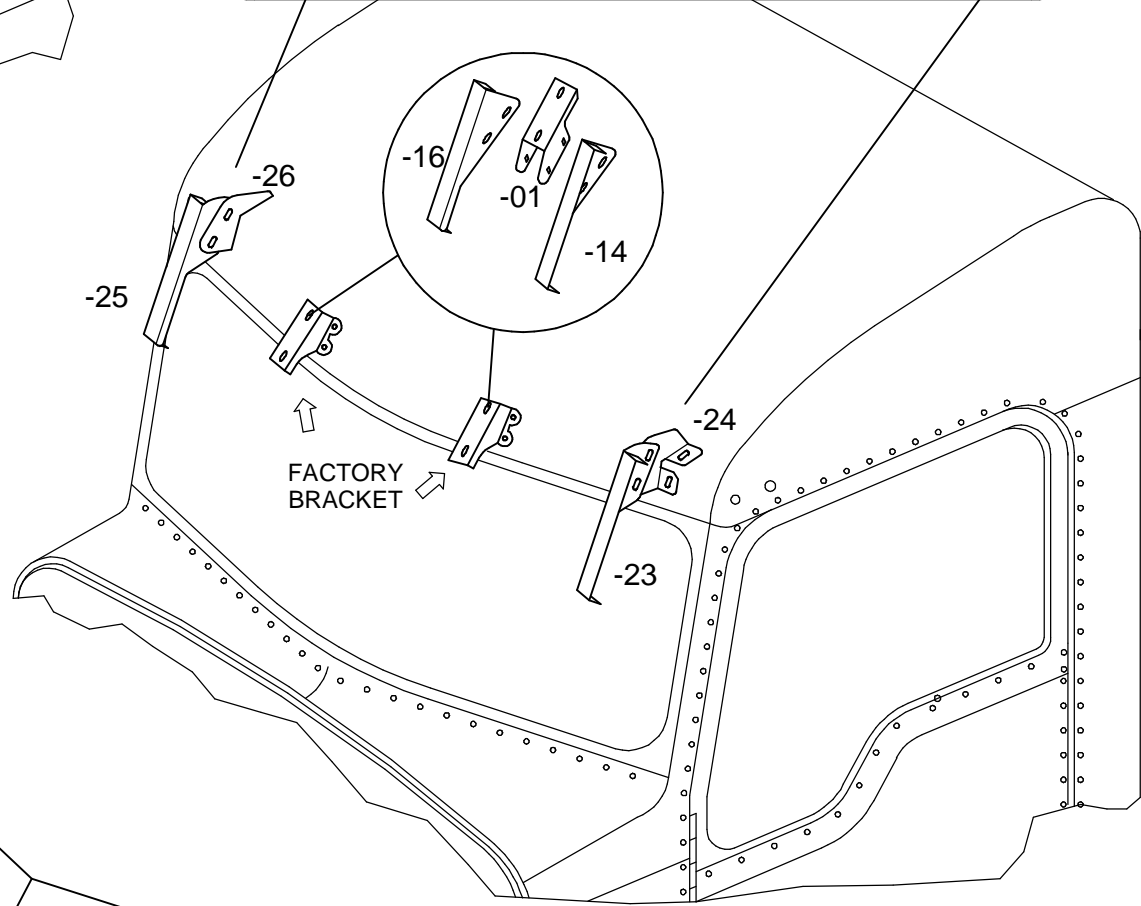
13" DROP VISOR FOR 1 & 2 PIECE CURVED WINDSHIELD
 KENWORTH 2007 & NEWER. REPLACES FACTORY 1 PIECE
 STAINLESS STEEL VISOR WITH 2 BRACKETS. DOES NOT
 FIT TRUCKS WITH 3 FACTORY BRACKETS

YOUR TRUCK SHOULD
 LOOK LIKE THIS

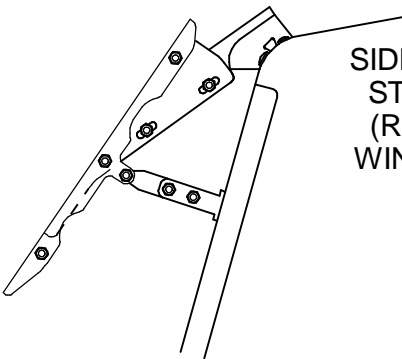
FITS 1 AND 2 PC WINDSHIELD WITH
 FACTORY INSTALLED 1 PIECE
 VISOR WITH 2 BRACKETS



You will need to drill 1/2" holes for
 these brackets. Install using the supplied
 Well Nuts / Hex Bolts / Flat Washers / Lock Washers



SIDE VIEW OF
 STABILIZER
 (RESTS ON
 WINDSHIELD)



One additional 1/2" hole
 will need to be drilled for
 each side. Use supplied
 Well Nut , Hex Bolt ,
 Flat Washer , Lock Washer

