

Installing your NEW Pinnacle

1. Remove installation riser (1) by removing four ½” bolts (2) shown in figure 2 that point down
2. **IMPORTANT – DO NOT REMOVE** ½” bolts on top of slider C-channel
3. Bolt installation riser into truck
4. Install seat to installation riser
5. Attach seat belts, tethers and air supply line

Figure 1

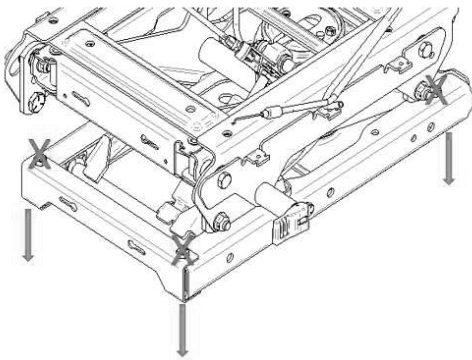
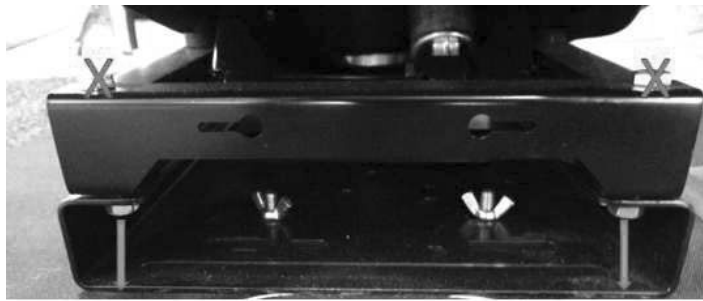
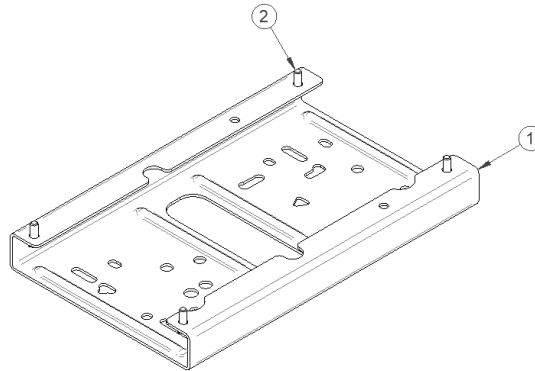


Figure 2



Additional Adaptor plates may be required and most listed below:

<u>Truck Style</u>	<u>Adapter</u>	<u>Notes</u>	<u>Drawings</u>
VOLVO® (2001 and newer)	177678PS	•Wider mounting required for new Volvo V's	
Freightliner® (11-15-2002 to 4-28-2009)	179181PS 185128PS	•EZ Rider Adapter for Century, Columbia, Argosy •Some Sterling Models • Includes Tethers •Insulation and Flooring Spacers (Cascadia Evolution)	
International® (2001 & newer)	178341PS	•Wider mounting required for new NGV's •Prostar®, Lonestar®, Durastar®, Workstar®, Terrastar®	
Kenworth® T680 / T880 Peterbilt® 579 / 567	183579PS	•2013 to Present •When replacing a Gramag Seat •Works With Standard & LO Suspensions • Includes Tethers	

SEATS INCORPORATED ASSUMES NO RESPONSIBILITY FOR DAMAGE OR INJURY CAUSED BY IMPROPER SPACING TO VEHICLE CONTROLS OR INSTALLATION METHOD. THIS IS ONLY A GUIDELINE AND DOES NOT GUARANTEE SATISFACTORY SEAT FUNCTION DUE TO INCOMPLETE OR IMPROPER INSTALLATION. PARTS SUPPLIED BY **SEATS INCORPORATED** ARE COVERED BY A LIMITED WARRANTY.



SIZE: A DRAWN BY:EDK
DATE: 06/15/20 REV. 00 DWG. NO. 712504