

Fre -3064

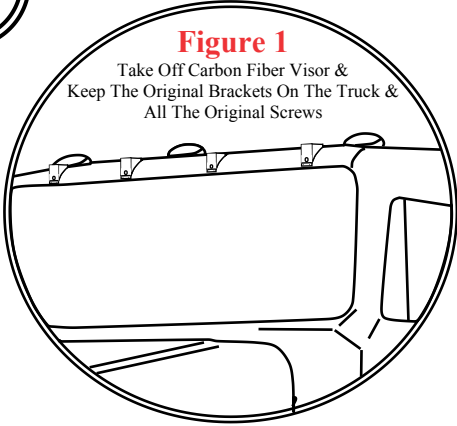


Figure 1
Take Off Carbon Fiber Visor & Keep The Original Brackets On The Truck & All The Original Screws

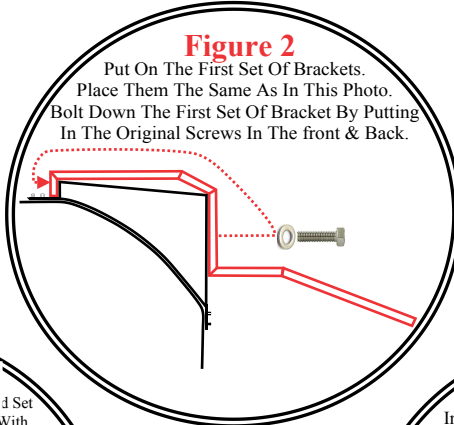


Figure 2
Put On The First Set Of Brackets. Place Them The Same As In This Photo. Bolt Down The First Set Of Bracket By Putting In The Original Screws In The front & Back.

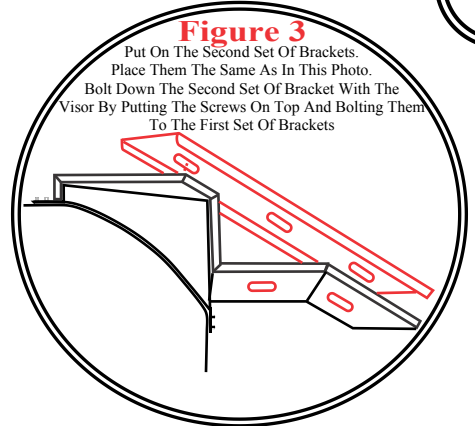


Figure 3
Put On The Second Set Of Brackets. Place Them The Same As In This Photo. Bolt Down The Second Set Of Bracket With The Visor By Putting The Screws On Top And Bolting Them To The First Set Of Brackets

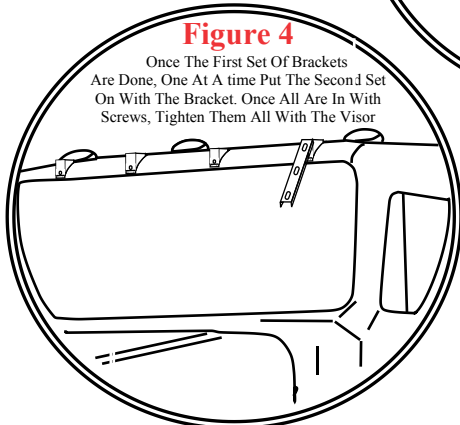


Figure 4
Once The First Set Of Brackets Are Done, One At A time Put The Second Set On With The Bracket. Once All Are In With Screws, Tighten Them All With The Visor

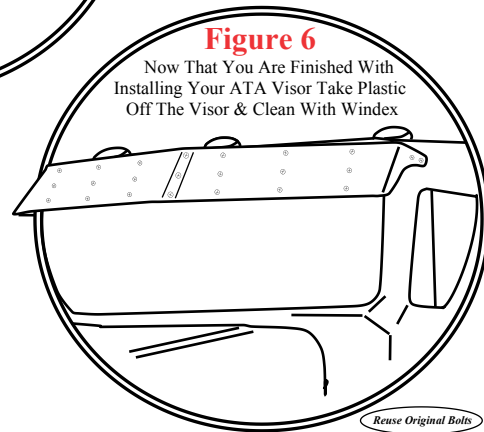
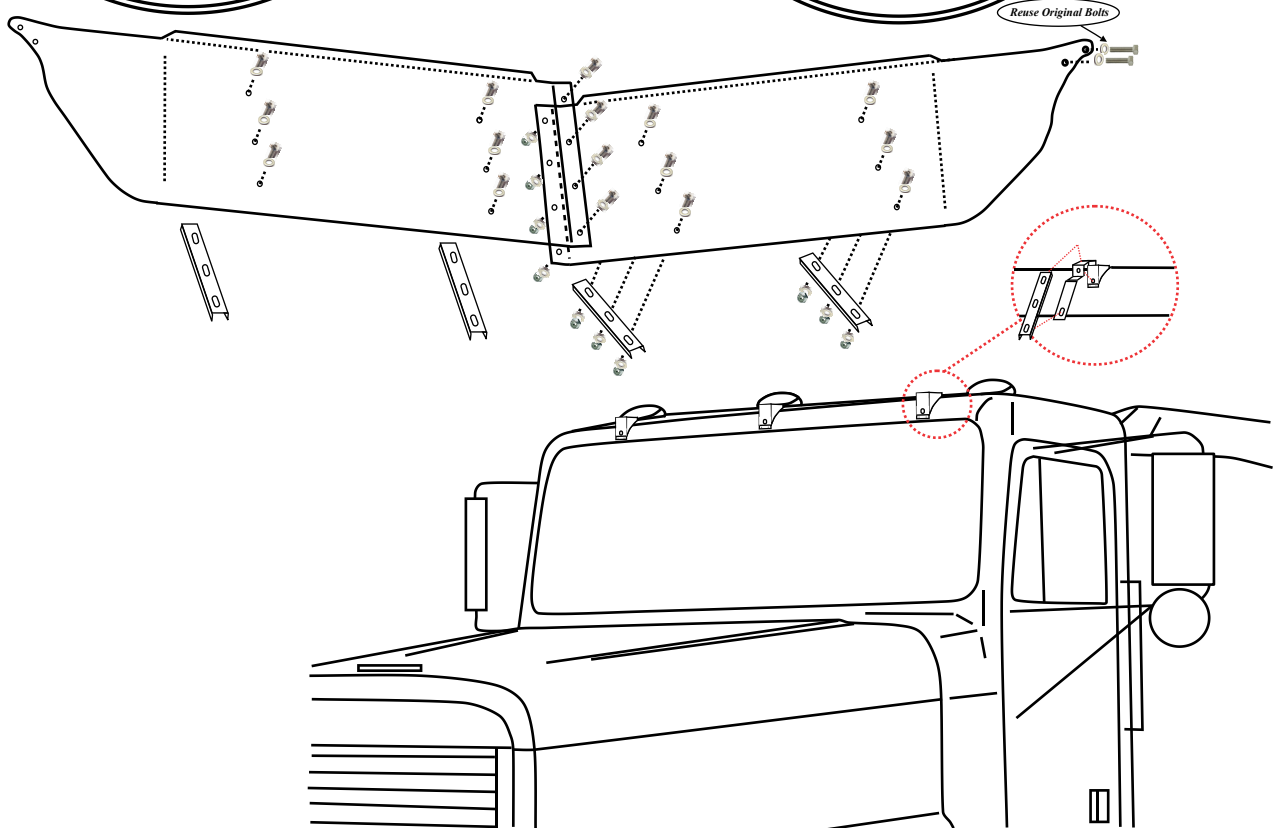




Figure 6
Now That You Are Finished With Installing Your ATA Visor Take Plastic Off The Visor & Clean With Windex



Bolt Kit

	QTY: 16	Pan Phillips	1/4 - 20 x 3/4
	QTY: 32	Flat Washer	1/4 x 5/8