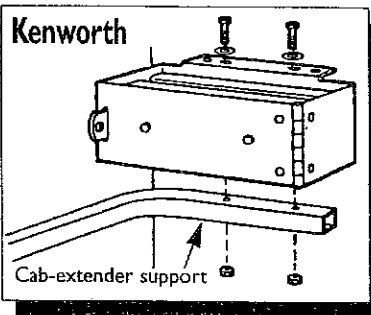


LOAD-N-LOCK

ANTI-THEFT STORAGE SYSTEM FOR LOAD BARS INSTALLATION INSTRUCTIONS

The LOAD-N-LOCK is designed for use with all tractor models to store standard load bars safely and securely. The system mounts off the cab-extender support on most cabs to eliminate the need to drill holes in the cab itself. Mounting procedures may vary slightly from model to model. The parts needed include: One LOAD-N-LOCK bar holder (upper), one LOAD-N-LOCK foot tray (lower), two L-brackets, four 1/4" x 1/2" #4 bolts with nylon patch and nuts and four, 3/8" x 16" #4 bolts with nylon patch and nuts. For more information, all the factory toll-free 1-800-228-0394.

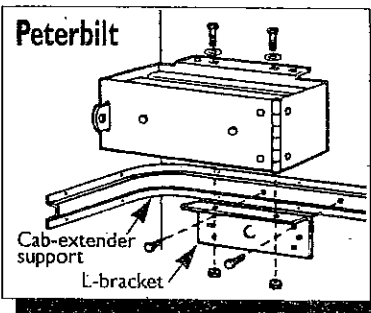


KENWORTH

1. Bolt the LOAD-N-LOCK bar holder to the cab-extender support, using existing bolts.
2. Repeat the process to install the bottom LOAD-N-LOCK foot tray.

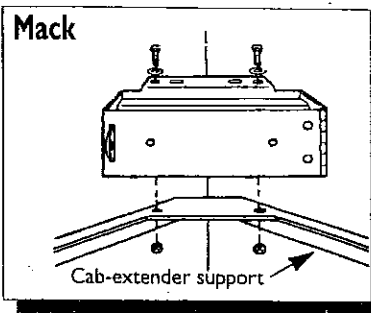
PETERBILT

1. Screw an L-bracket with the longest side extended down, to the cab extender support, using the upper-most holes. For an alternative installation, screw the L-bracket directly to the cab wall placing the indentation in the L-bracket over the rivet line for a flush fit.
2. Bolt the LOAD-N-LOCK bar holder to the L-bracket.
3. Repeat the process to install the bottom LOAD-N-LOCK foot tray.



MACK/WHITE GMC

1. Drill two holes in the cab-extender support from the top to permit the LOAD-N-LOCK bar holder to be mounted centered in the corner. Use the small holes on the LOAD-N-LOCK.
2. Bolt the LOAD-N-LOCK bar holder to the cab-extender support.
3. Repeat the process to install the bottom LOAD-N-LOCK foot tray.

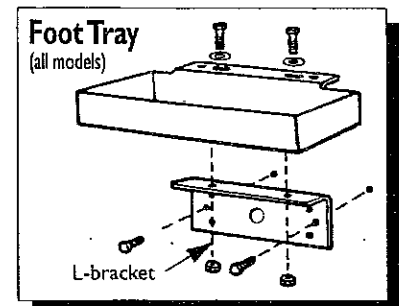
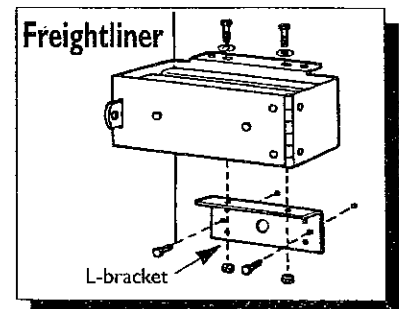
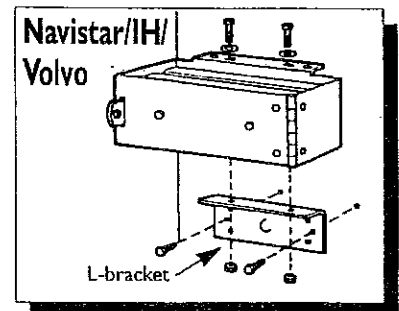


NAVISTAR / IH / VOLVO

1. Bolt an L-bracket with the longest side extended down, to the rear of the cab using the upper most holes.
2. Bolt the LOAD-N-LOCK bar holder to the L-bracket.
3. Repeat the process to install the bottom LOAD-N-LOCK foot tray.

FREIGHTLINER

1. Bolt an L-bracket with the longest side extended down, to the rear of the cab using the upper most holes.
2. Bolt the LOAD-N-LOCK bar holder to the L-bracket.
3. Repeat the process to install the bottom LOAD-N-LOCK foot tray.



NOTE: Allow adequate room between the LOAD-N-LOCK and the LOAD-N-LOCK foot tray for proper storage of loadbars. Some installations may not require the use of all hardware provided.

FOR MORE INFORMATION CONTACT:

DUAL DYNAMICS

2241 Humphrey Ave Lincoln, Nebraska 68521

1-800-228-0394

fax: 402-467-5035

www.dualdynamics.com

