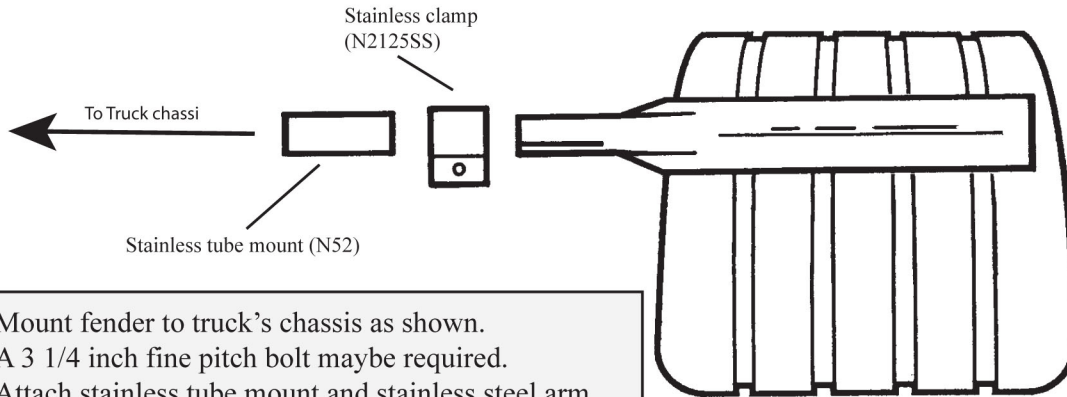




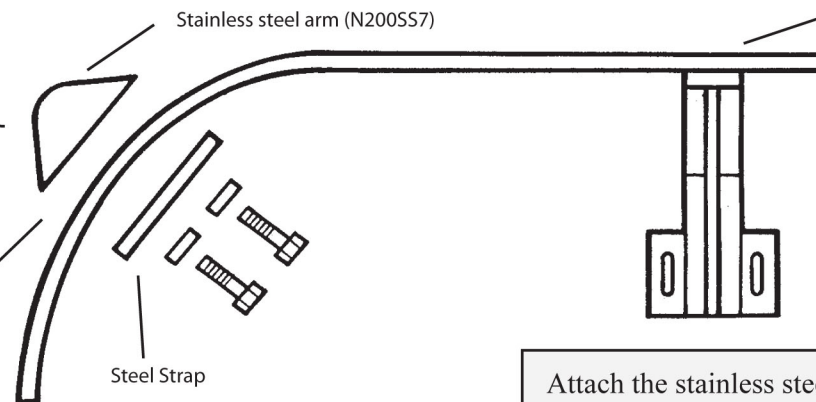
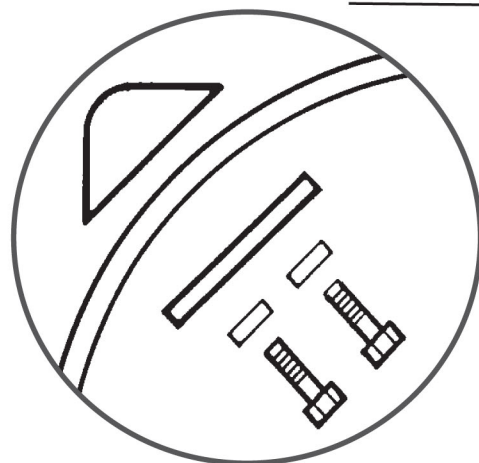
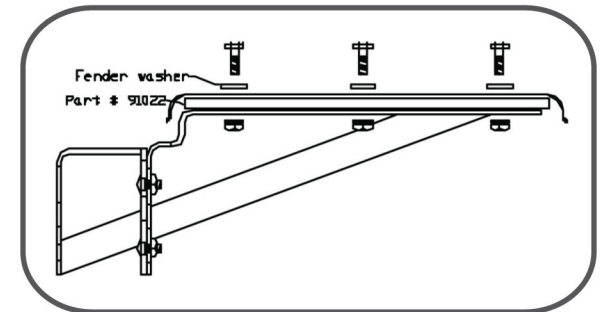
Half Fender Mounting Instruction

Important notice

To valid the warranty you must follow the instruction below, you must use the rubber spacer provided for Half and full fender installation



Mount fender to truck's chassis as shown. A 3 1/4 inch fine pitch bolt maybe required. Attach stainless tube mount and stainless steel arm together with the provided stainless clamp (N2125SS)



Attach the stainless steel arms to the fender as shown. Use the provided template for drilling holes. Attach bolts with steel straps on the inside of fender. Bolt fender and back bracket (black bracket) together with rubber spacer in between (hardware not included).