

Pete- 1267

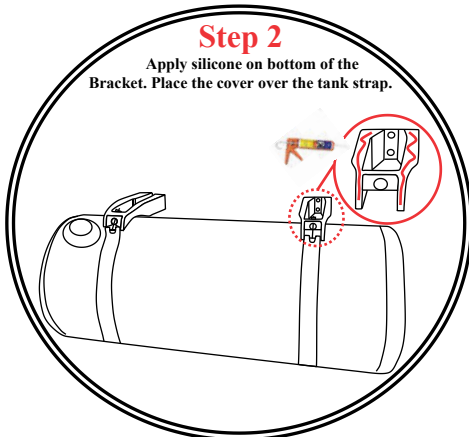
Step 1

Thoroughly clean surface before applying any silicone.



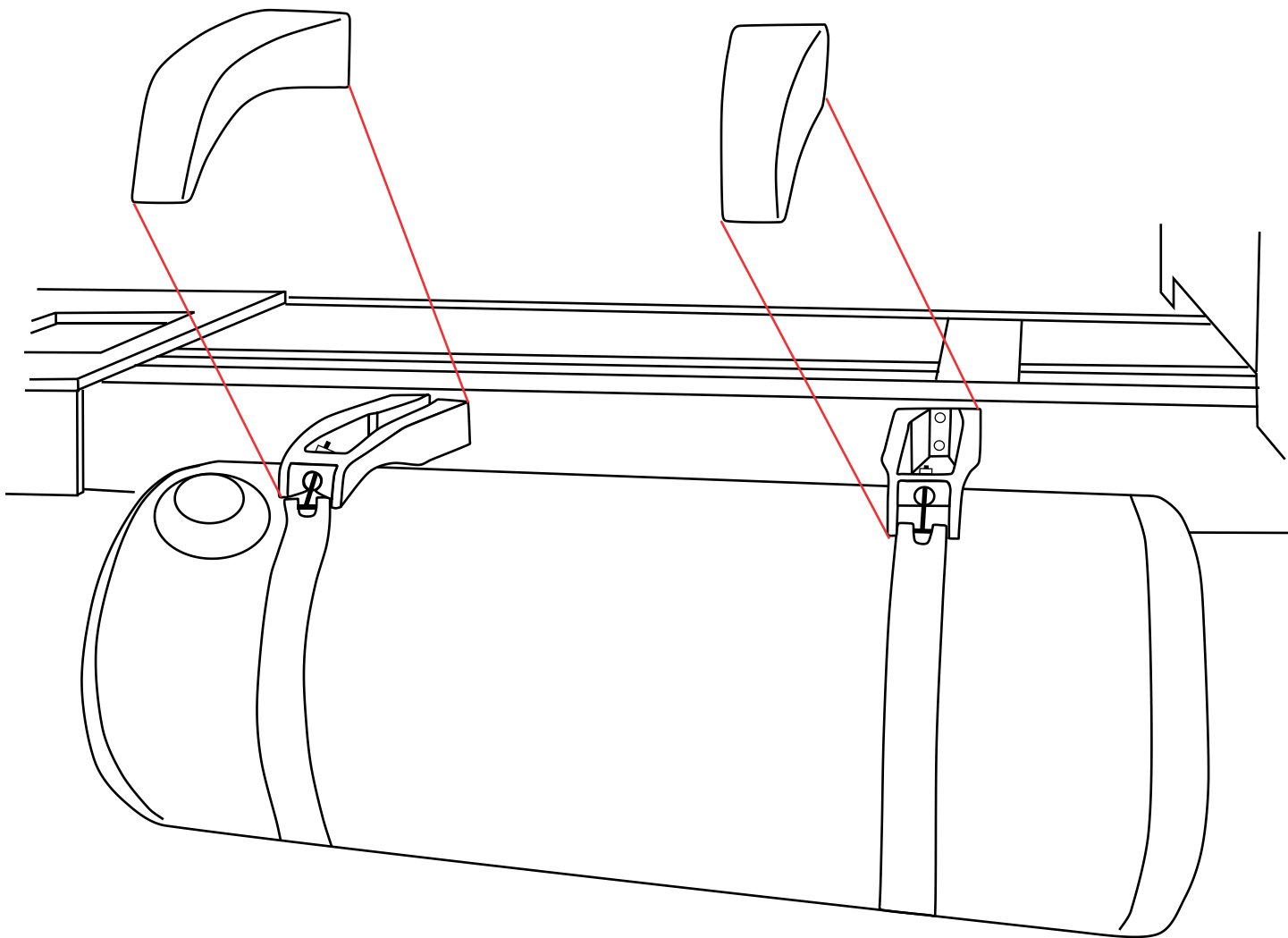
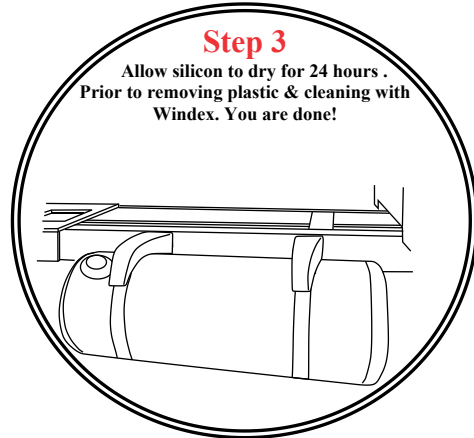
Step 2

Apply silicone on bottom of the Bracket. Place the cover over the tank strap.



Step 3

Allow silicon to dry for 24 hours .
Prior to removing plastic & cleaning with Windex. You are done!



Notes

- Tank strap bolt may need to be cut down to accommodate fuel tank cover

Remember

- Silicone is not included



Silicone is required for installation.