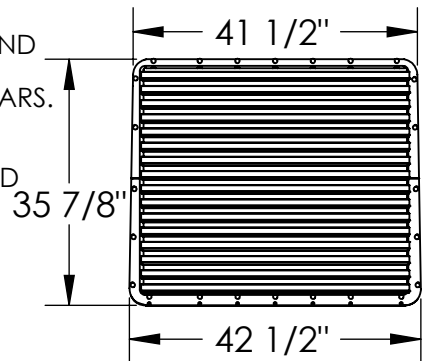
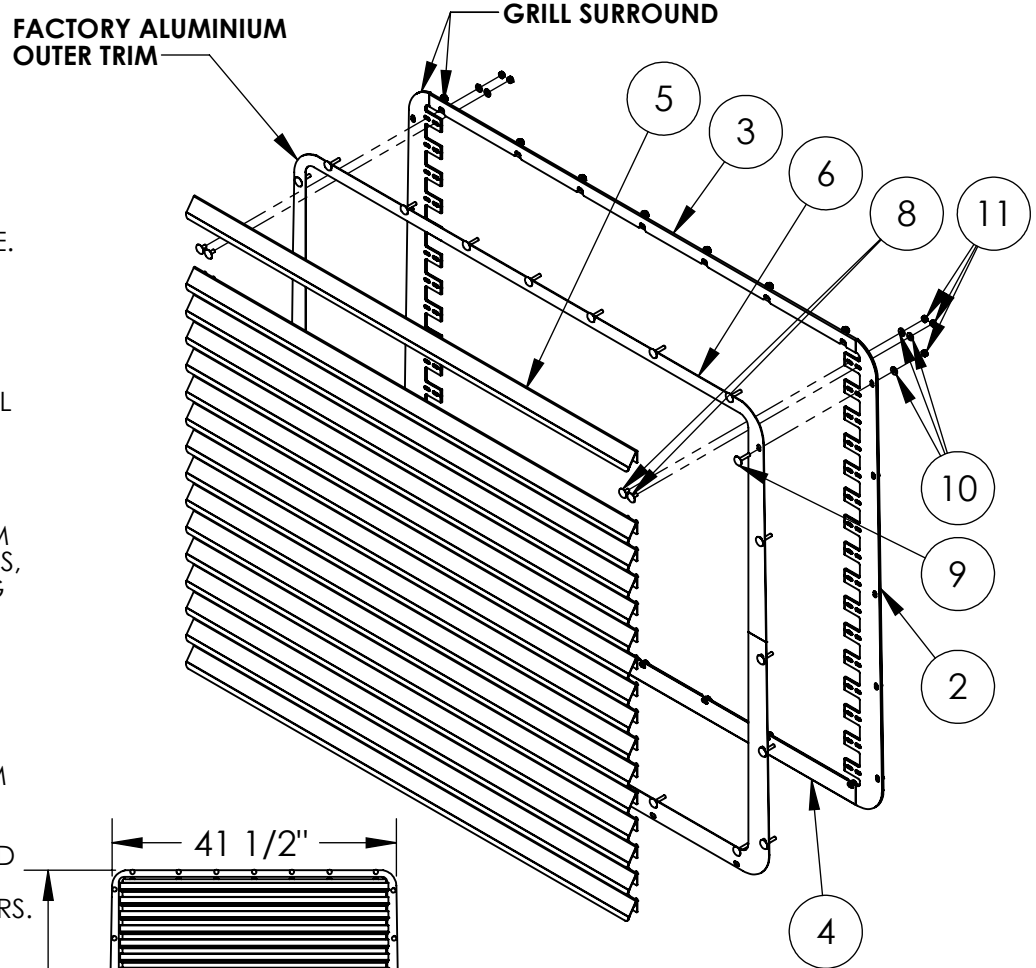


ATTENTION
BEFORE BEGINNING THE INSTALLATION OF YOUR NEW GRILL,
ENSURE THAT THE KIT YOU HAVE RECEIVED MATCHES YOUR
TRUCK MODEL

**PLEASE READ THE INSTRUCTIONS
COMPLETELY BEFORE BEGINNING**

INSTALLATION INSTRUCTIONS

- 1- ARRANGE THE GRILL BARS AND SURROUND PIECES ON A FLAT SURFACE. THE PART NUMBERS FOR THE SURROUND ARE ETCHED ON THE PARTS AND SHOULD BE ARRANGED AS FOLLOWS: CL7123025-U04 IS DRIVER AND PASSENGER SIDE, CL7123025-U02 IS THE BOTTOM, CL7123025-U03 IS THE TOP AND CL7123023-U01 IS THE LOUVERS STYLE BARS.
- 2- HOLD THE PIECES OF THE GRILL SURROUND UP TO YOUR FACTORY GRILL TO ENSURE THAT THE HOLES ON THE SURROUND LINE UP WITH THE EXISTING RIVETS AROUND YOUR GRILL.
- 3- REMOVE THE FACTORY GRILL SCREEN BY CAREFULLY DRILLING OR GRINDING THE RIVETS THAT HOLD ON THE 2 PIECE FACTORY ALUMINIUM OUTER TRIMS. DO NOT DAMAGE THE FACTORY ALUMINIUM OUTER TRIMS, IT WILL BE REINSTALLED LATER. REMOVE THE FACTORY CENTER GRATING THAT WAS SECURED BY THE 2 PIECE FACTORY ALUMINIUM OUTER TRIM, THIS PART WILL BE REPLACED BY THE 4 PIECES OF THE GRILL SURROUND.
- 4- PEEL THE PVC FROM THE 4 PIECES GRILL SURROUND.
- 5- USE THE 1"LG CARRIAGE BOLTS, FLAT WASHERS, AND LOCK NUTS TO INSTALL THE GRILL SURROUND UNDER THE 2 PIECE FACTORY ALUMINIUM OUTER TRIMS AS ILLUSTRATED AND INSTALL IT ON THE TRUCK.
- 6- ATTACH THE LOUVERS STYLE BARS TO THE TABS ON THE GRILL SURROUND AS ILLUSTRATED USING THE 1/2"LG CARRIAGE BOLTS. IT IS ADVISED TO PEEL THE PVC AWAY FROM THE BOLT HOLES ON THE LOUVERS STYLE BARS.
- 6.1- INSTALL THE TOP AND BOTTOM LOUVERS STYLE BARS, THEN WORK FROM THE TOP DOWN (IT MAY BE NECESSARY TO LOWER THE HOOD TO TIGHTEN THE BOLTS ON THE BOTTOM LOUVERS STYLE BARS).
- 7- PEEL THE REMAINING PVC FROM LOUVERS STYLE BARS.
- 8- TIGHTEN ALL BOLTS AND SCREWS FIRMLY.



TRUX ACCESSORIES

TITLE:
PETERBILT REPLACEMENT GRILLS
359, 379 EXTENDED HOOD GRILLS

SIZE: DWG. NO.
A TP-1001

NAME	DATE	REV	DATE
DRAWN BY P.W.	27-01-2009	PH1	-

SCALE: 1:12 WEIGHT: LBS SHEET: 1 OF 1

ITEM NO.	PART NUMBER	DESCRIPTION	QTY
1	M7123025CC	FRONT GRILL	1
2	CL7123025-U04	GRILLE AVANT (W/16 LOUVER STYLE BARS)	2
3	CL7123025-U03	GRILLE AVANT (W/16 LOUVER STYLE BARS)	1
4	CL7123025-U02	GRILLE AVANT (W/16 LOUVER STYLE BARS)	1
5	CL7123023-U01	GRILLE AVANT (W/15 LOUVER STYLE BARS)	16
6	-	FACTORY ALUMINUM OUTER TRIM	REF.
7	K7123025BB	BOLTS KIT INCLUDES :	1
8	-	CARRIAGE BOLT 10-32NFX1/2"SS	64
9	-	CARRIAGE BOLT 10-32NFX1" SS	24
10	-	FLAT WASHER ID#10 X OD 1/2" SS	88
11	-	NYLON LOCK NUT #10-32NF SS	88